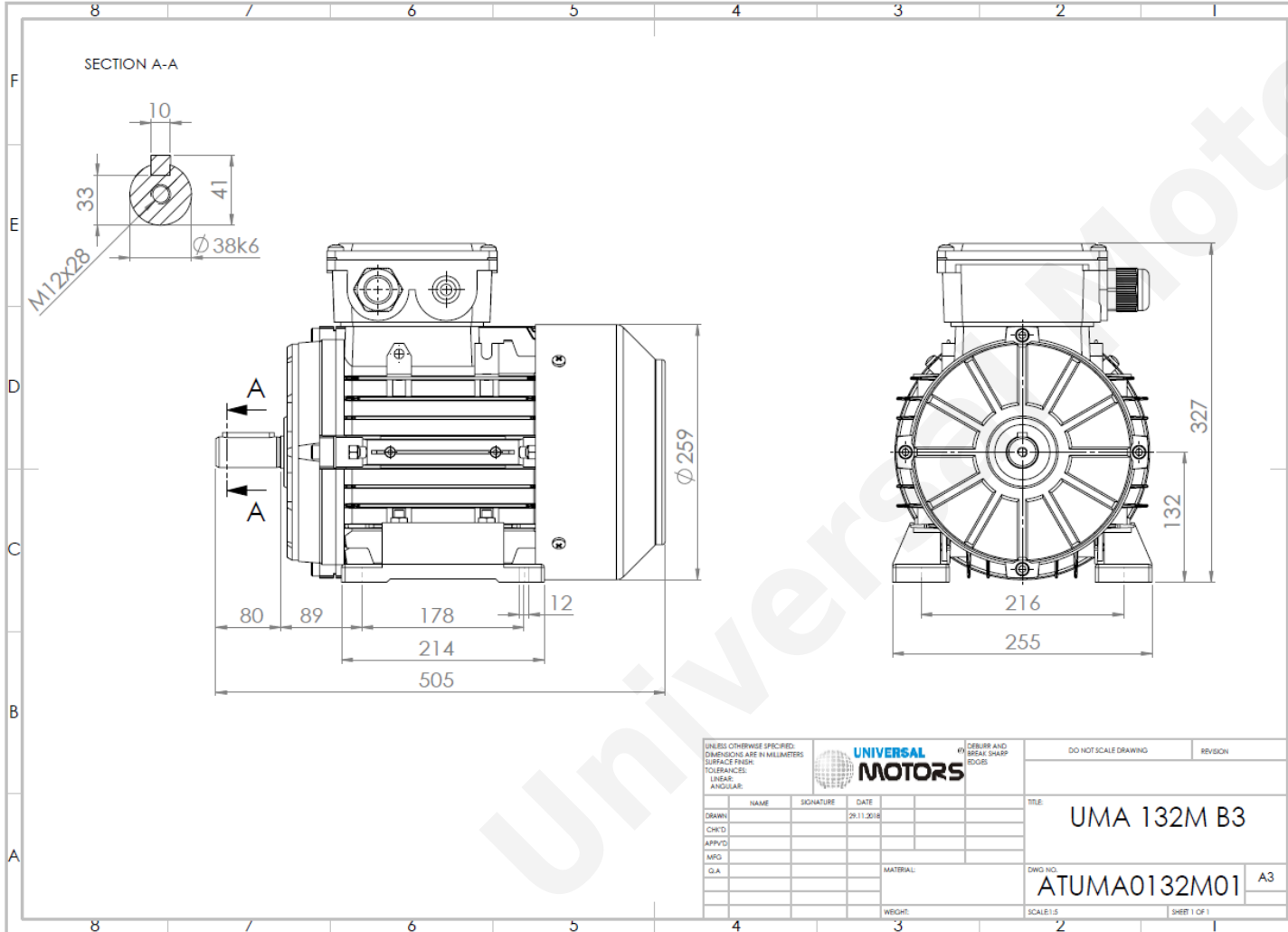




# TECHNICAL DATA

Three Phase Electric Motors - Aluminum Frame  
 UM3A 132M1-2 IE3  
 9.2 kW / 12.5 Cv  
 RPM



Motor type:	<b>UM3A 132M1-2 IE3</b>
Output:	<b>9.2 kW / 12.5 Cv</b>
Frequency:	<b>50 Hz</b>
Voltage:	<b>400 V</b>
Current:	<b>16.1 A</b>
Power factor (Cos Ø):	<b>0.91</b>
Poles:	<b>2</b>
Insulation class:	<b>F</b>
Temperature rise Class:	<b>B</b>
Efficiency 50%:	<b>90.5 %</b>
Efficiency 75%:	<b>91.2 %</b>
Efficiency 100%:	<b>90.6 %</b>
Torque:	<b>30.0 N.m</b>
Tstarting/Tnominal:	<b>3.2</b>
Istarting/Inominal:	<b>11.6</b>
Tmaximum/Tnominal:	<b>4.2</b>
Noise:	<b>81 Db(A)</b>
Weight:	<b>58.3 Kg</b>
Brake AC:	<b>AC7</b>
Torque Brake DC:	<b>80 N.m</b>
Bearing DE:	<b>6308 2Z</b>
Bearing NDE:	<b>6308 2Z</b>
Torque Brake AC:	<b>90 N.m</b>
Brake DC:	<b>REB-05-16</b>

Regime - S1

Altitude - 1000m

Environment Temperature - 40°C

## CONTACTS:

UNIVERSAL MOTORS Tel: +351 252 299 080  
 Rua de São Brás,745 Fax: +351 252 299 089  
 4480-782 VILA DO CONDE Mail: [geral@universalmotors.pt](mailto:geral@universalmotors.pt)

\* References applied only in the UK